



DESIGN STATEMENT

Landscape Edges provide a visually pleasing edge treatment to delineate adjacent surface materials such as lawn and mulched garden bed. They also provide an effective edge restraint to landscape surfaces such as asphalt, gravel paths and along garden beds, contributing to ease of maintenance including weeding and mowing.

APPLICABLE LOCATION

Moreland open space including conservation areas, parks, playspaces and reserves.

Edging material to be confirmed with relevant council units. Composite edging is preferred over timber edging over to durability and can be used for straight lines and gentle curves. Timber edging should generally be used for straight sections. Steel edging can be used for both straight and curved edges. Note that steel edging must not be used in playspaces. Refer to C200.05 Playground Edges.

COUNCIL STANDARD DRAWING

C200.03 Composite / Timber Edging, Steel Edging.

CROSS REFERENCE DOCUMENT

- C200.05 Playground Edges
- C200.04 Spade Edges.

STANDARD SPECIFICATION

Composite Edging: 300 x 137 x 23mm pegs with 100-200mm composite edging

Timber Edging: 300 x 90 x 35mm pegs with 100-200mm x 35mm treated pine edging

Steel Edging: 100x 2mm thick pre-formed galvanised steel edge.

SUPPLIER

Dimensions shown as nominal as varies depending on supplier.

MAINTENANCE

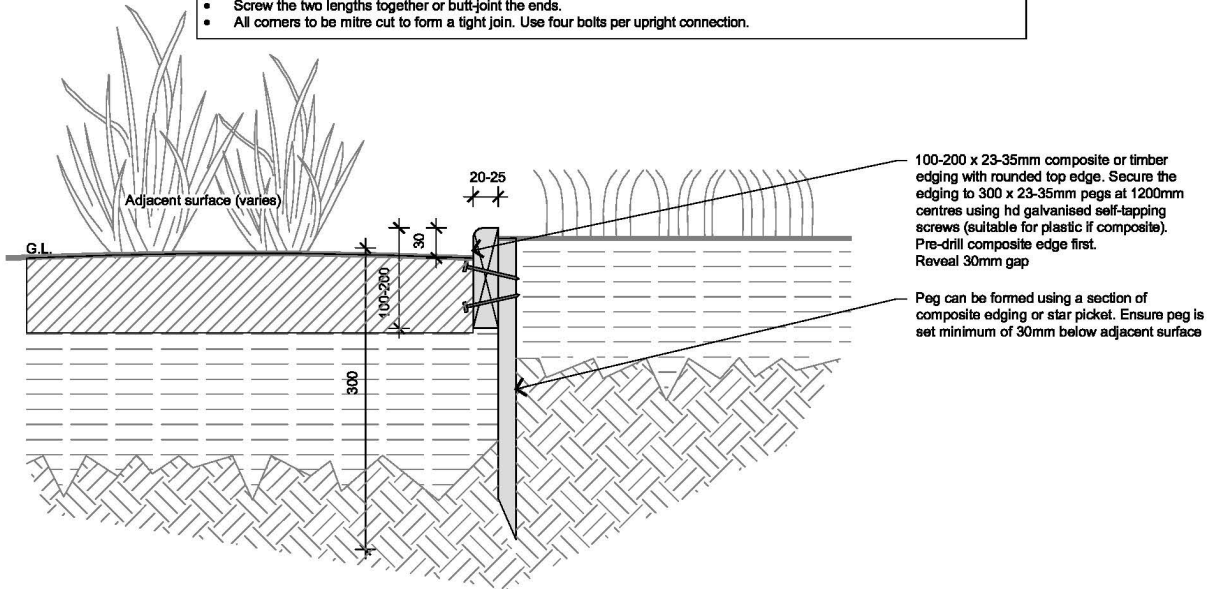
Check edging condition periodically, replace failed sections.

C200.03 Landscape Edges

Composite or Timber Edging

Notes:

- Composite edging to be used in preference to timber edging.
- Where composite specified, only use wood-recycled plastic composite containing a minimum of 40% wood by-product content.
- Preferred timber dimensions: 300 x 90 x 35mm peg with 100-200 x 35mm edging.
- Preferred composite dimensions: 300 x 137 x 23mm peg with 100-200 x 23mm edging.
- Joints shall be made by bridging the abutting lengths and backing with an additional section of edging by 50mm.
- Screw the two lengths together or butt-joint the ends.
- All corners to be mitre cut to form a tight join. Use four bolts per upright connection.

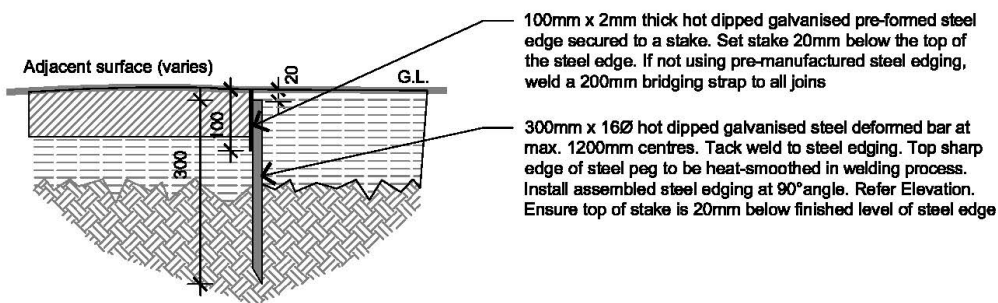


01 COMPOSITE / TIMBER EDGING
Section 1:5

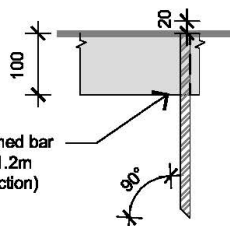
Steel Edging

Notes:

- Steel edging can be used to retain materials in a reserve or streetscape, except for within a playspace.
- A pre-manufactured steel edging product may be used as an alternative to in-situ steel edging, as approved by superintendent.
- Joins can be made by welding the abutting lengths and backing with an additional 200mm length bridging strap, set down 20mm from top edge.
- Corners of edging and peg to be mechanically formed with butt-welded corners. All terminations to have top corners chamfered.
- Cold galvanise all welds.



01 STEEL EDGING
Section 1:10



Assembled steel edging with deformed bar laid at 90° angle in ground at max. 1.2m centres (refer steel edging cross section)

02 STEEL EDGING LAYOUT
Elevation 1:10