

Raingarden Fencing C120.08



BOLLARDS

DESIGN STATEMENT

Water Sensitive Urban Design (WSUD) is an approach to improve sustainable use of water in the urban environment.

Where safety standards cannot be achieved using one or more other safety measures (Refer to Technotes C120.07) it may be necessary to install a barrier, bollards or fencing between the raingarden and adjacent footpaths and/or roadways. Fencing is a non-preferred option and alternative safety measures should be investigated as a priority. A variety of options exist depending on the level of protection required and the desired visual outcome.



GALVANISED RAIL FENCE

Moreland City Council Streetscape WSUD Raingarden and Tree Pit Design Package (WSUD Package) provides a suite of design elements, applications and standard drawings to assist WSUD site-specific design.

APPLICABLE LOCATION

As specified.

COUNCIL STANDARD DRAWING

N/A

CROSS REFERENCE DOCUMENT

- Moreland WSUD Design Package

STANDARD SPECIFICATION

Refer to WSUD Package, Section 4. Autocad Library:

- Raingarden Fencing - Drawing SK007

SUPPLIER

Refer to WSUD Package, Section 10. List of Supplier.

MAINTENANCE

Refer to WSUD Package, Section 8. Maintenance Checklist.

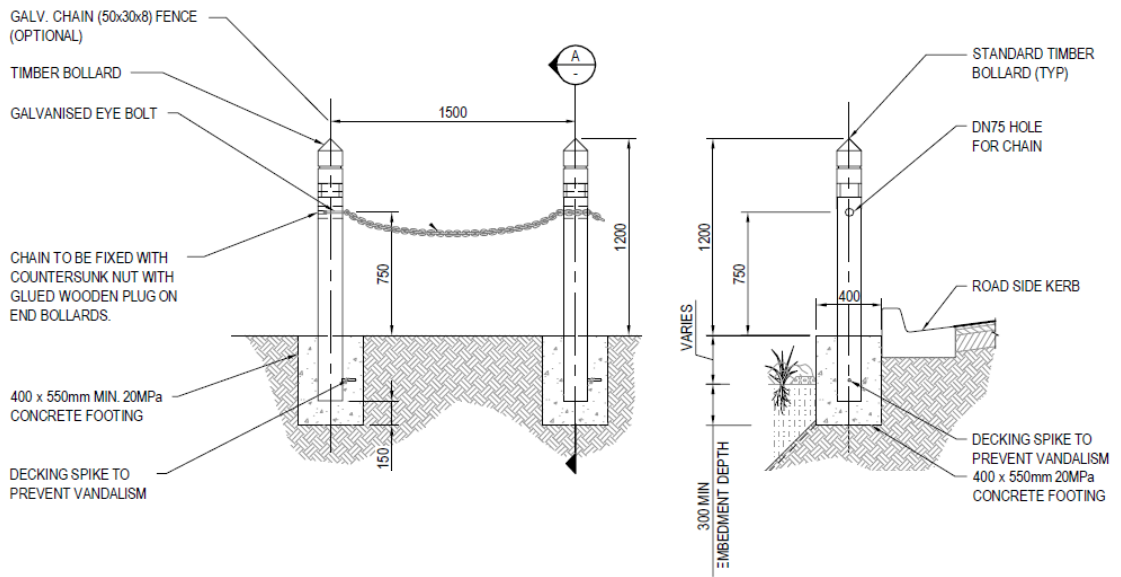


1.2M HIGH TIMBER FENCE

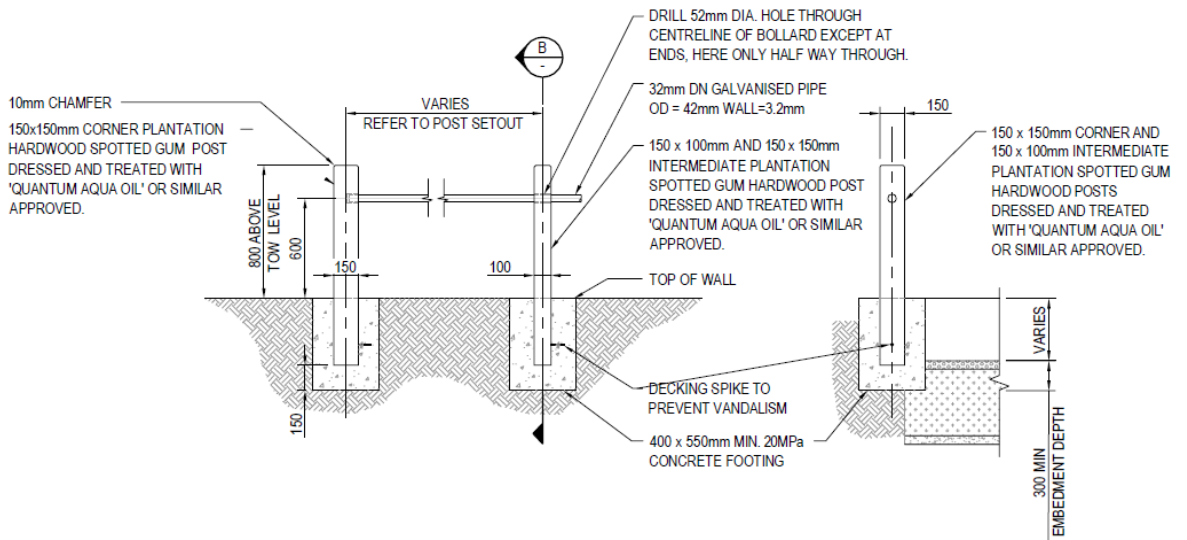
GENERAL NOTE

1. The standard details shown on this drawing are typical only. These details may need to be reconfigured to suit site specific conditions.

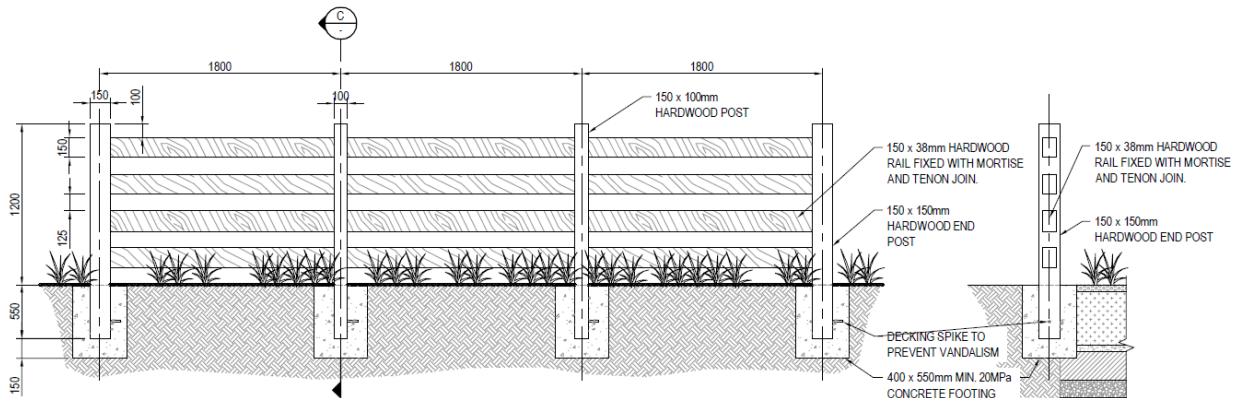
C120.08 Raingarden Fencing



BOLLARDS



GALVANISED RAIL FENCE



1.2M HIGH TIMBER FENCE