

# Raingarden Safety Measures C120.07



PEDESTRIAN REFUGES AND STEEL EDGING PRAM



STEPPED SIDES



PRAM STOPS

## DESIGN STATEMENT

Water Sensitive Urban Design (WSUD) is an approach to improve sustainable use of water in the urban environment.

Safety measures are designed to stop wheelchairs, visually impaired people, prams, etc. from inadvertently finding their way into the rain garden. They can be designed as separate features or as vertical extensions of edge treatment forming a barrier.

Drop heights greater than 190mm require the use of a pram stop or kerb barrier. For drop heights less than 190mm pram stops or kerb barriers are not required as this may be reasonably expected in a pedestrian area, however, may be applied at the discretion of the project team.

Moreland City Council Streetscape WSUD Raingarden and Tree Pit Design Package (WSUD Package) provides a suite of design elements, applications and standard drawings to assist WSUD site-specific design.

## APPLICABLE LOCATION

As specified.

## COUNCIL STANDARD DRAWING

N/A

## CROSS REFERENCE DOCUMENT

- Moreland WSUD Design Package

## STANDARD SPECIFICATION

Refer to WSUD Package, Section 4. Autocad Library:

- Raingarden Safety Measures - Drawing SK008

## SUPPLIER

Refer to WSUD Package, Section 10. List of Supplier.

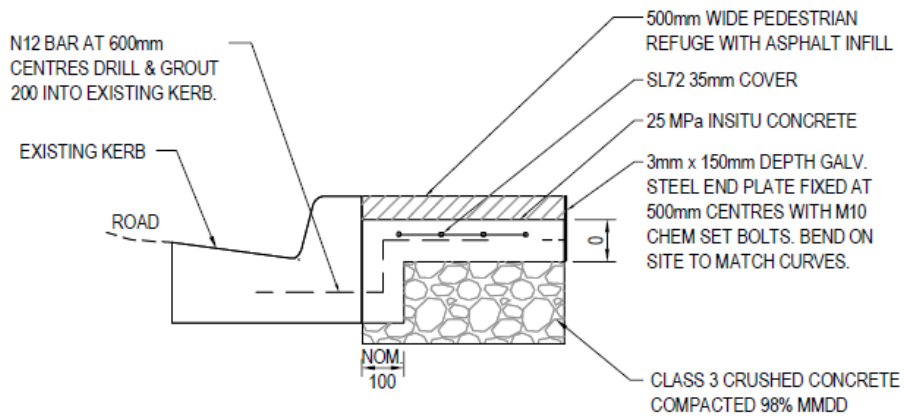
## MAINTENANCE

Refer to WSUD Package, Section 8. Maintenance Checklist.

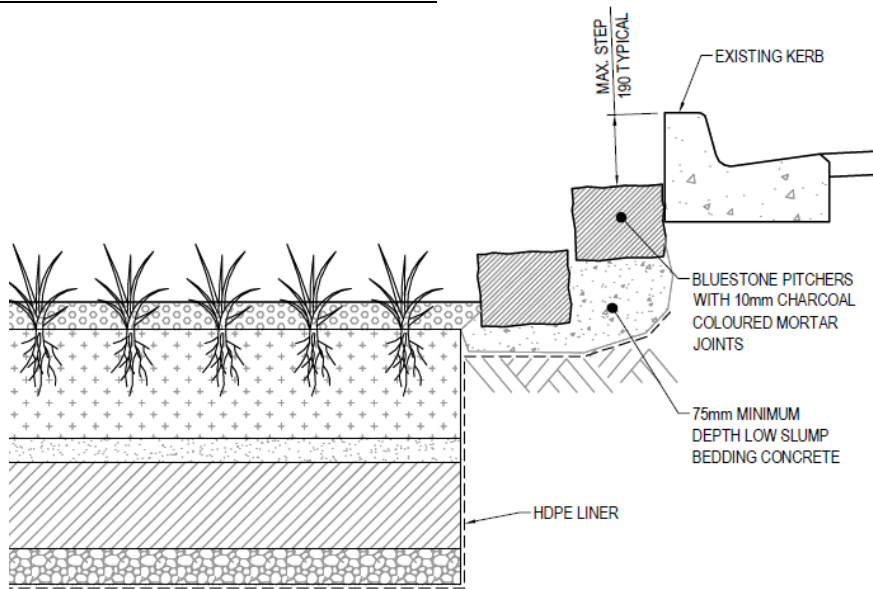
## GENERAL NOTE

1. The standard details shown on this drawing are typical only. These details may need to be reconfigured to suit site specific conditions.

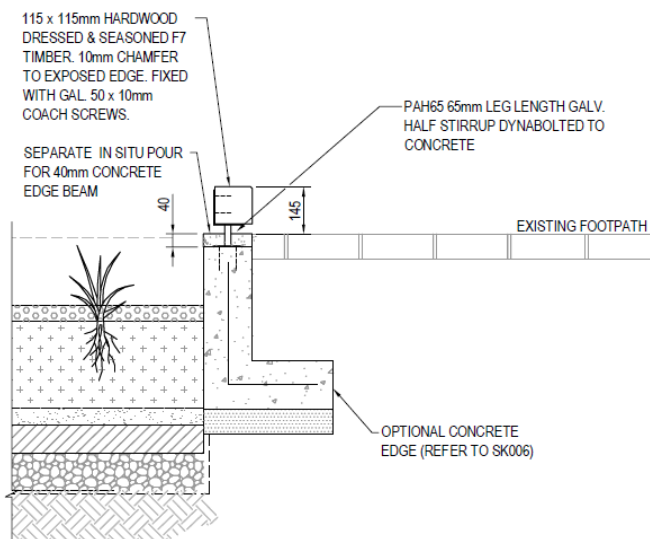
# C120.07 Raingarden Safety Measures



## PEDESTRIAN REFUGES AND STEEL EDGING PRAM



## STEPPED SIDES



## PRAM STOPS