

Drinking Fountain for Civic Spaces B170.01



DESIGN STATEMENT

The drinking fountain design integrates refill and water fountain with a wheelchair accessible design. The bright colour provides an attractive element to the street.

APPLICABLE LOCATION

As specified within activity centres and shopping strips

COUNCIL STANDARD DRAWING

N/A

CROSS REFERENCE DOCUMENT

- N/A

STANDARD SPECIFICATION

Type: Apollo 280 from Urban Fountain and Furniture, added with Moreland City Council Logo.

Finish: Stainless steel basin and bright powder coated panel.

Colour: Colour selection to be confirmed with Council. 2 pak epoxy wet spray with graffiti-coating.

Dimension: total height 900mm, clearance height 800mm, 191mm x 160mm base.

Optional feature: Dog bowl for drinking fountains located close to the parks. Longer basin for accessibility.

Plumbing: 1/2 water inlet, 40mm waste outlet pipe

Installation: Surface mounted with dyna bolts or in ground fixings with foundation cage. All internal bolts. Stainless steel security screws.

SUPPLIER

Urban Fountains and Furniture www.urbanff.com.au or similar.

MAINTENANCE

N/A

GENERAL NOTES

1. Refer to manufacturer's installation manual.

PARK

BRUNSWICK

COBURG

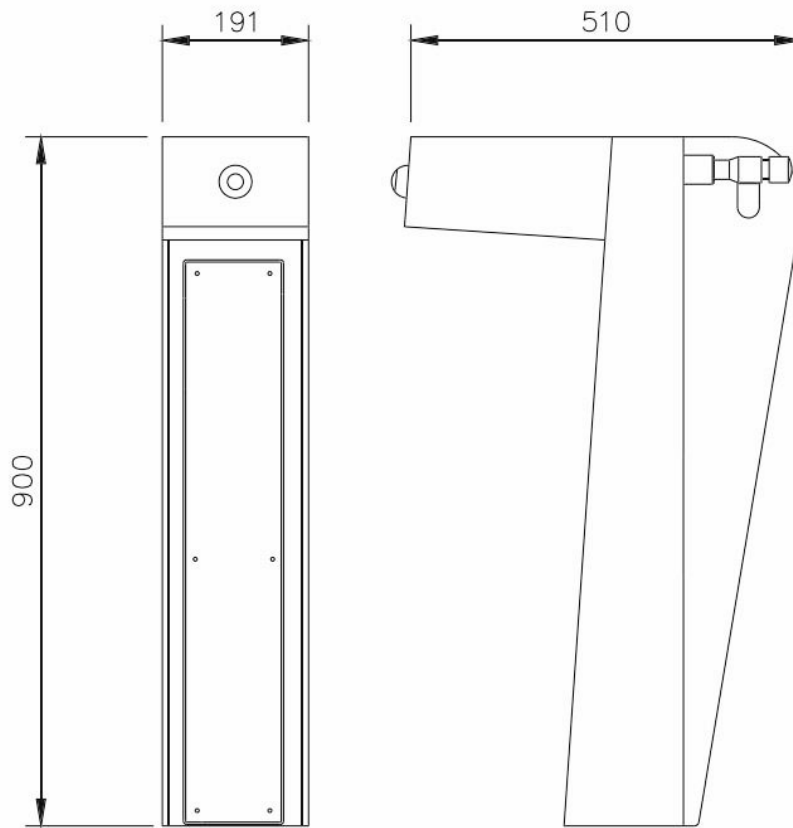
GLENROY

SSRP



Moreland City Council

B170.01 Drinking Fountain for Civic Spaces



Copyright: Urban Fountains and Furniture