
Bin Stands B140.04



DESIGN STATEMENT

Bin stands provide an economical solution for public rubbish bin. The galvanised metal stand is attached to the standard 120 litres or 240 litres wheelie bin.

APPLICABLE LOCATION

All Moreland including parks, for non-high profile areas.

COUNCIL STANDARD DRAWING

N/A

CROSS REFERENCE DOCUMENT

N/A

STANDARD SPECIFICATION

Finish: Galvanised metal post.

Dimension: width: 220mm wide, height: to suit 120 litres or 240 litres bin.

SUPPLIER

E.P. Draffin www.draffin.com.au or similar.

MAINTENANCE

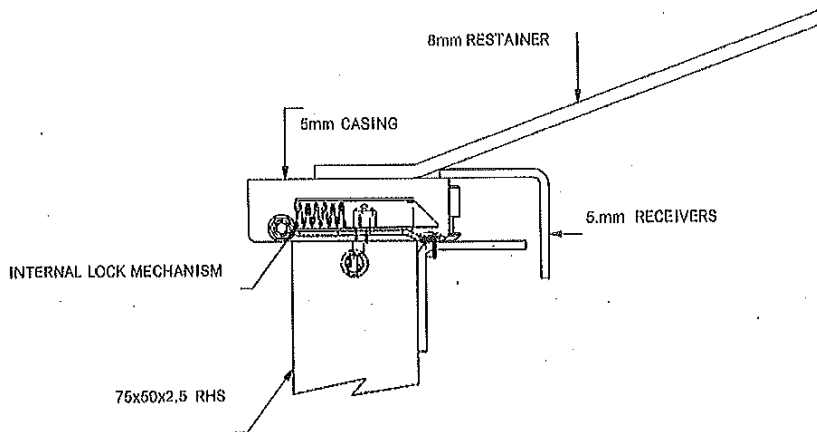
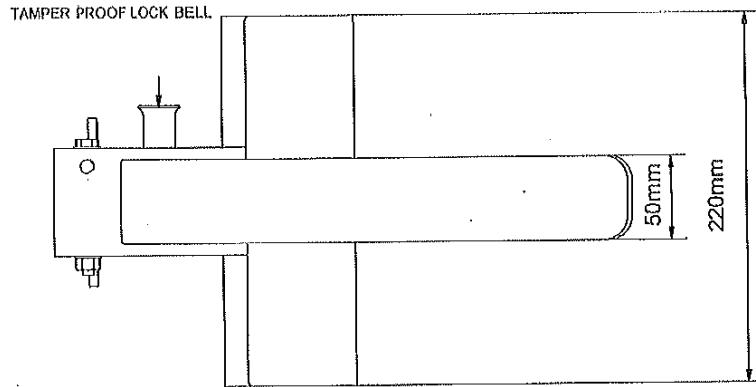
Waste Services: Bins are emptied at varying frequencies depending on location.

GENERAL NOTES

1. Refer to manufacturer's installation manual



B140.04 Bin Stands



TO SUIT 120/240LT MGB

