

---

# Sleeve for Sign Post A200.03

---



GENERAL

## DESIGN STATEMENT

Sleeves for signposts provide a sturdy permanent base for the installation of signposts. It allows damaged signposts to be replaced quickly with some hand tools.

## APPLICABLE LOCATION

Sign post sleeves should be installed for all posts in natural ground and in pavements.

## COUNCIL STANDARD DRAWING

SD 400 Detail of sleeve for sign post

## CROSS REFERENCE DOCUMENT

- Gib keys should be used in circumstance where furniture is required to be movable and also lockable.
- Gib key shall be galvanised in accordance with AS1650
- Weld shall be to AS 1554 Part 1&2 as appropriate
- All workmanship and material shall be in accordance with AS 4100 Steel Structures.

## STANDARD SPECIFICATION

**Post Sleeve:** 76mm O/D galvanised pipe, 675mm length with anti twist bar or similar sleeve.

**Other:** Redundant sleeves should be saw-cut flush at ground level and filled up with concrete to remove tripping hazards. All redundant holes to be filled up to match adjacent surface levels.

## SUPPLIER

N/A

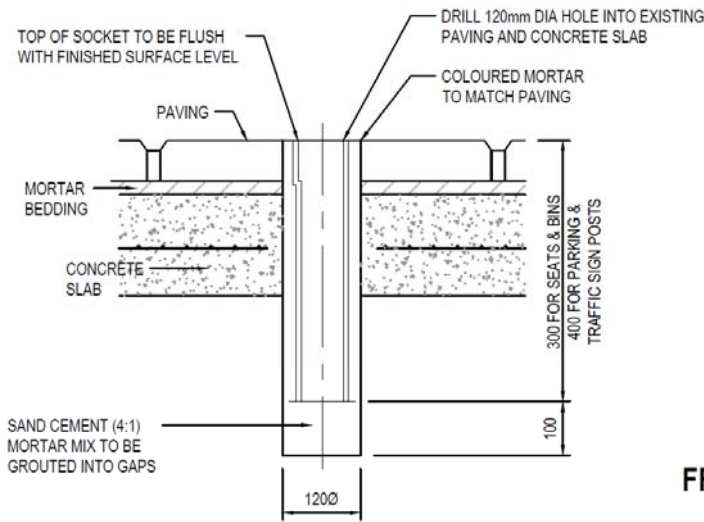
## MAINTENANCE

N/A

## GENERAL NOTES

N/A

# A200.03 Sleeve for Sign Post

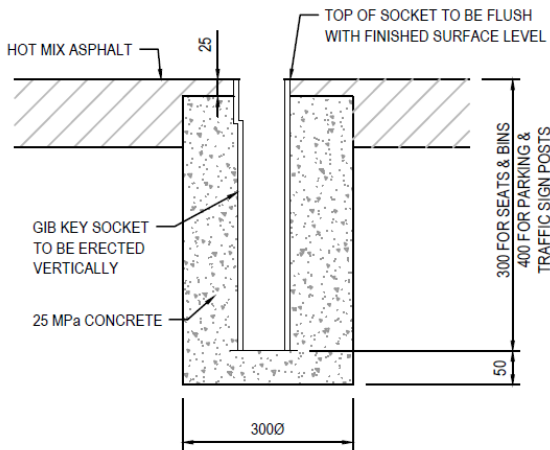


**DETAIL 1**

ARRANGEMENT OF SOCKET IN BLUESTONE PAVEMENT

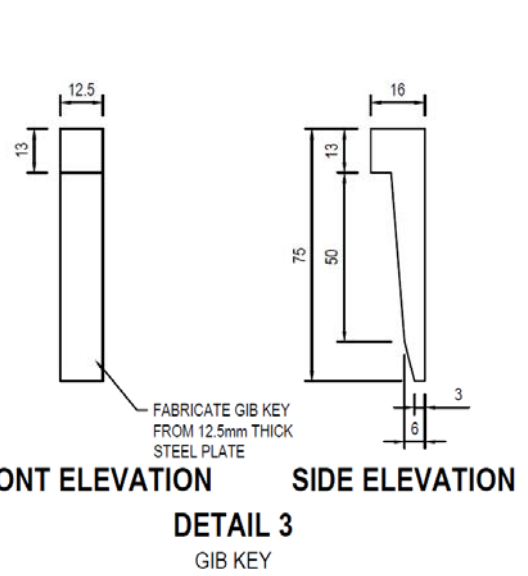
NOTE:

SOCKETS AND POSTS SHALL BE SET VERTICALLY.



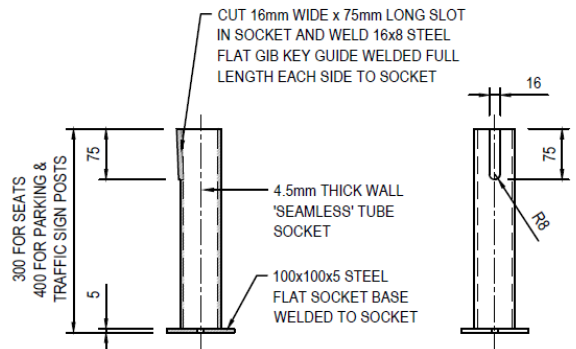
**DETAIL 2**

ARRANGEMENT OF SOCKET IN ASPHALT PAVEMENT AND LANDSCAPE AREA



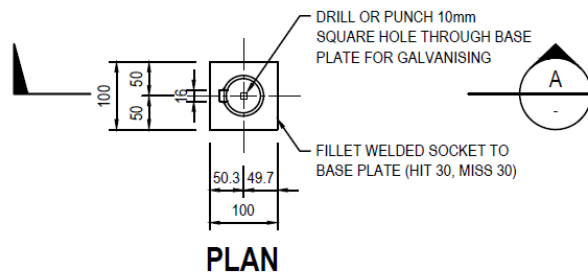
**DETAIL 3**

GIB KEY



**SECTION A - A**

**FRONT ELEVATION**



**PLAN**

**DETAIL 4**

GIB KEY SOCKET