

# Concrete Pavement Joints A200.02



## DESIGN STATEMENT

All types of joints are critical in the construction of concrete pavements.

Seal colour should match the pavers to ensure neat appearance.

## APPLICABLE LOCATION

Concrete pavement joints of different types should be used when detailing the construction of a concrete pavement.

## COUNCIL STANDARD DRAWING

SD 291 Concrete pavement joints

## CROSS REFERENCE DOCUMENT

- Moreland City Council Standard Specification Section 61, Section 62 and Section 80.

## STANDARD SPECIFICATION

Please refer to Notes 1-7 as detailed.

## SUPPLIER

N/A

## MAINTENANCE

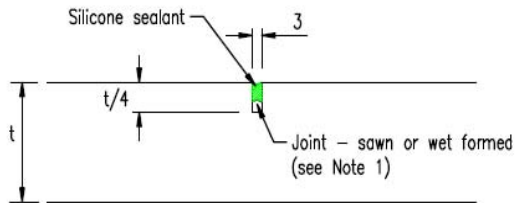
N/A

## GENERAL NOTES

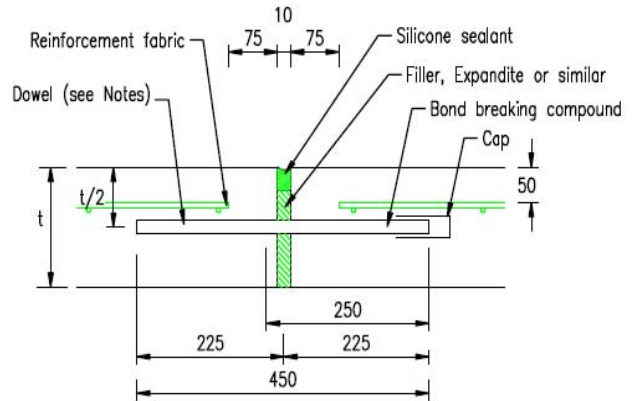
1. Sawn joints must be cut within 24 hours after placing concrete. Wet joints may only be undertaken with the approval of the superintendent using a special tool for that purpose to ensure that the joint formed is flush with the paving surface without any bumps. Should wet joints not be satisfactory, the contractor must revert to sawn joints.
2. Dowels should be grade 250R steel bars, 450mm long and placed at 300mm centres, diameter as shown in Dowel Diameters Table, unless specified otherwise.
3. Dowels must be sawn, not cropped and must be straight, smooth and free of burrs.
4. Dowels must be effectively deboned over 250mm length and placed orthogonal to the joint direction and the pavement surface.
5. Dowels should be placed in assemblies and firmly secured to the sub base before concrete placing. The insertion of dowels during the placing of concrete is not acceptable.
6. Tie bars should consist of 12mm diameter grade 400Y deformed steel bars, 1000mm long and placed at 800mm centres, unless specified otherwise.
7. Place 200mm jointing material to fit snugly between concrete slabs. Seal top of joint with silicone sealant in accordance with the manufacturer's recommendations. Seal colour to match pavers.



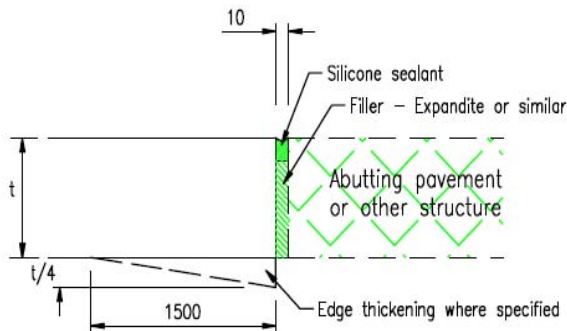
# A200.02 Concrete Pavement Joints



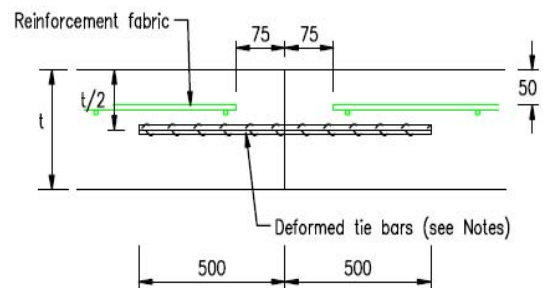
CONTRACTION JOINT  
NOT TO SCALE



EXPANSION JOINT  
NOT TO SCALE



ISOLATION JOINT  
NOT TO SCALE



TIED JOINT  
NOT TO SCALE

## DOWEL DIAMETERS

Slab thickness t(mm)	Dowel dia (mm)
125 - 140	20
141 - 160	24
161 - 190	28
191 - 220	33
221 - 250	36