

Pedestrian Threshold Crossing with Stencilled Concrete A160.02



Red herringbone pattern stencilled concrete with grey edges



White herringbone pattern stencilled concrete

GENERAL NOTES

1. Pedestrian crossing to be 200mm depth, F82 reinforced concrete, unless specified otherwise. Concrete strength for paving to be 32 MPa.
2. Surface levels of pedestrian crossing to match levels of footpath on both sides as close as possible, taken into account the maximum slope of asphalt ramp.
3. Asphalt ramps to be chased into existing pavement. Chases to be minimum 300mm wide and 30mm deep.
4. Tactile ground surface indicators (TGSI's) shall be Surface Applied Integrated Warning and Directional Tactile Ground Surface Indicator constructed from fibre reinforced herculite polymer, chemically and mechanically fixed at 8 points with Teck-Anchor screws and plugs. Layout of TGSI's to be varied to suit each individual site but must be in accordance with AS/NZS 1428.4.1(2009)

DESIGN STATEMENT

Pedestrian threshold crossing with concrete top provides better accessibility and safety for pedestrians to cross. The crossing prioritises pedestrian movement and improves the civic feel of the area.

For location where existing vehicle speed is relatively high, red can colour provides higher awareness for drivers from further distance.

APPLICABLE LOCATION

To be located on Council roads where slower vehicle speed is desired around busy shopping strips or urban parks.

Pedestrian threshold crossing will need to be located on strategic points of the shops and integrated with landscaping element to further slow down the vehicle.

COUNCIL STANDARD DRAWING

SD 273 Typical threshold treatment

CROSS REFERENCE DOCUMENT

- N/A

STANDARD SPECIFICATION

Flat top: Finishes to be confirmed with Council. Red herringbone pattern stencilled concrete with grey edges or white herringbone pattern stencilled concrete.

Ramp: Asphalt with piano keys and reflective raised pavement markers to be installed as per table on next page

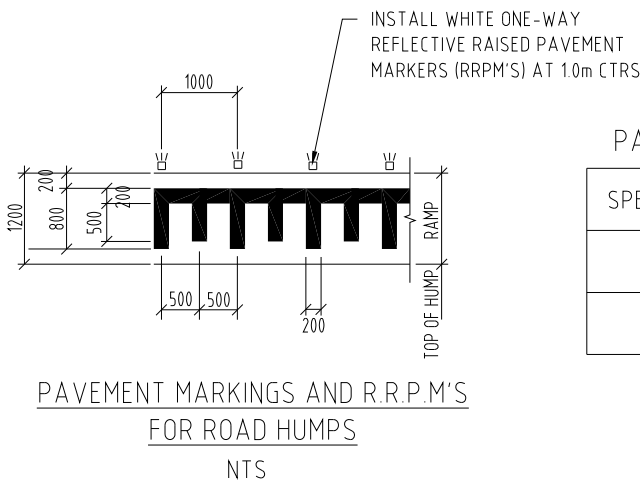
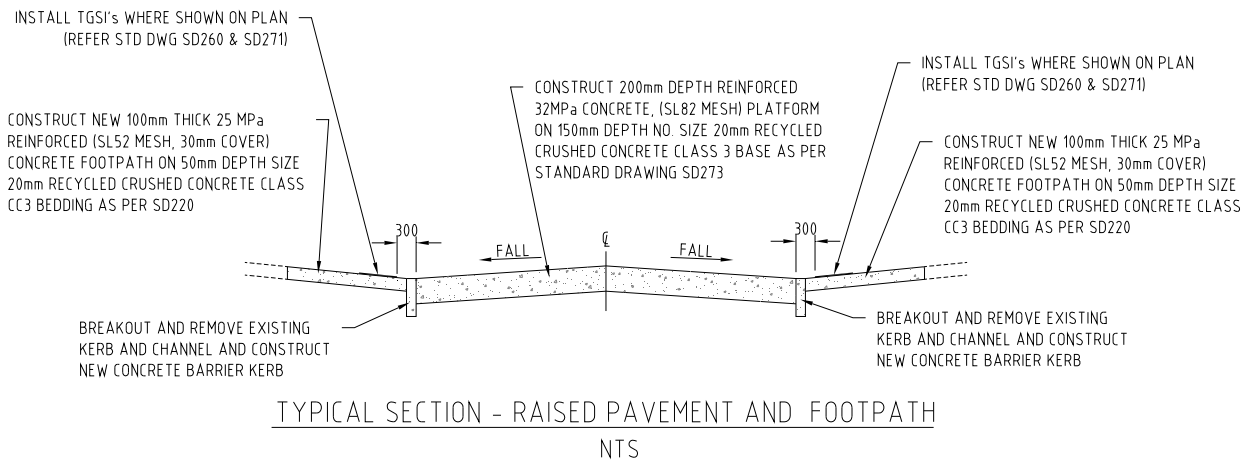
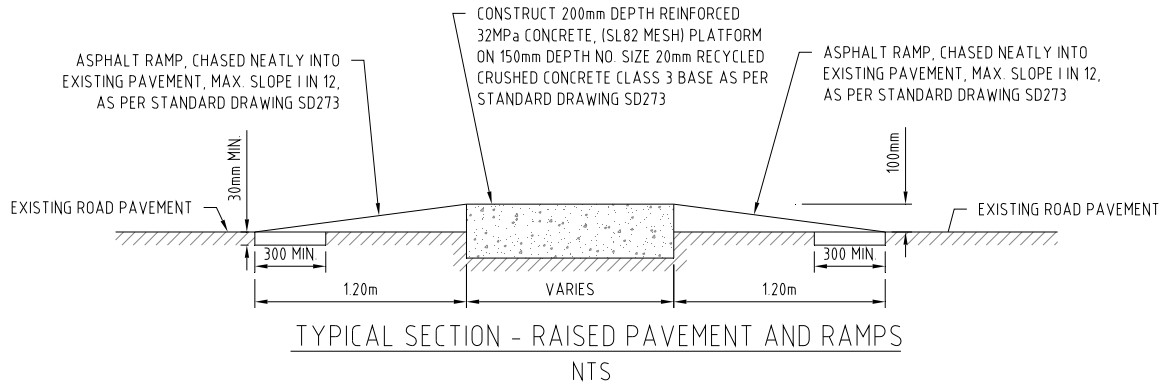
SUPPLIER

N/A

MAINTENANCE

Street Cleansing Unit: Cleaning will be undertaken as per current schedule.

A160.02 Pedestrian Threshold Crossing with Stencilled Concrete



PAVEMENT MARKING REQUIREMENTS AT RAMPS

SPECIFIED RAMP SLOPE	PIANO KEY MARKINGS & RRPM'S
1 in 12	Required
1 in 20	Not Required