

---

# Pipe Connection to Existing Main Pipe A140.13

---

**DESIGN STATEMENT**

Connecting to a main drain requires written approval from Melbourne Water.

The 'pipe connection to existing main pipe' has been included in the Technical Notes to ensure a standard approach and detail is maintained throughout the municipality.

**APPLICABLE LOCATION**

New pipe connections to existing stormwater main pipes are used when dimensions of the new pipes do not warrant the construction of a junction pit.

**COUNCIL STANDARD DRAWING**

SD 152 Pipe connection to existing main pipe

**CROSS REFERENCE DOCUMENT**

- Section 701: Underground Stormwater Drains, Section 702: Subsurface Drainage, Section 60: Underground stormwater drains and conduits: 03.07.

**STANDARD SPECIFICATION**

Refer to Notes 1-6 as detailed on the drawing on the next page for the standard specifications.

**SUPPLIER**

N/A

**MAINTENANCE**

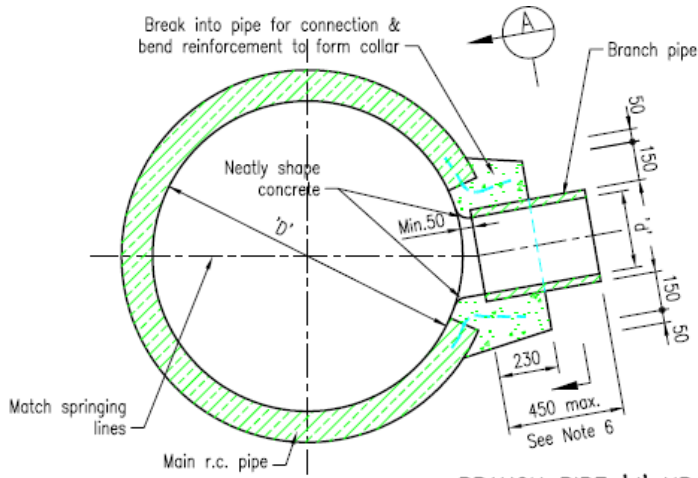
N/A

**GENERAL NOTES**

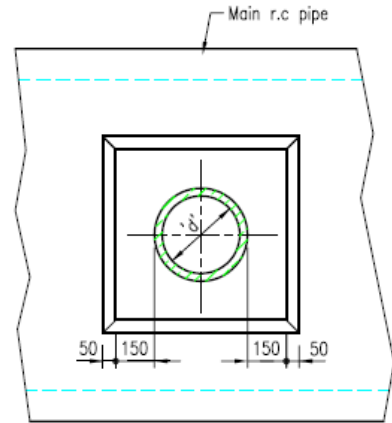
1. When 'D' is greater than 'D'/3, a pit or junction chamber must be designed, incorporating hydraulic analysis.
2. Preference should be given to angling connection downstream, at 45 – 60degrees, where 'D' is small that 'D'/6, angle of connection may be increased to 90 degrees.
3. Concrete strength to be 25 MPa.
4. Reinforcement in main pipe to be cut and formed into collar. Care should be taken to prevent damage to the main pipe.
5. Concrete jointing to be neatly shaped and rendered on the inside of the drain.
6. Where connection cannot be rendered from inside of the main pipe, connection to consist of 300mm length branch pipe to allow rendering from outside the main pipe.



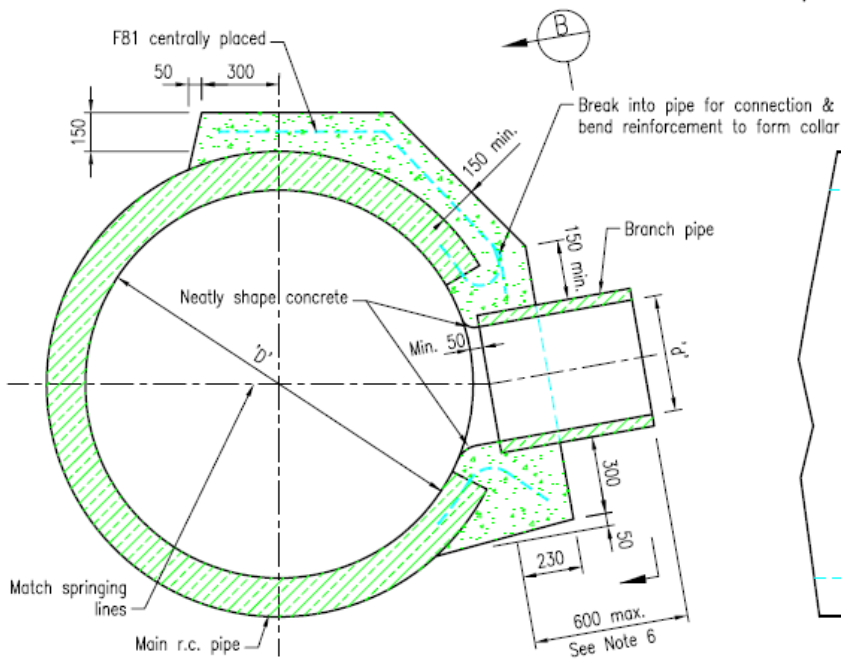
# A140.13 Pipe Connection to Existing Main Pipe



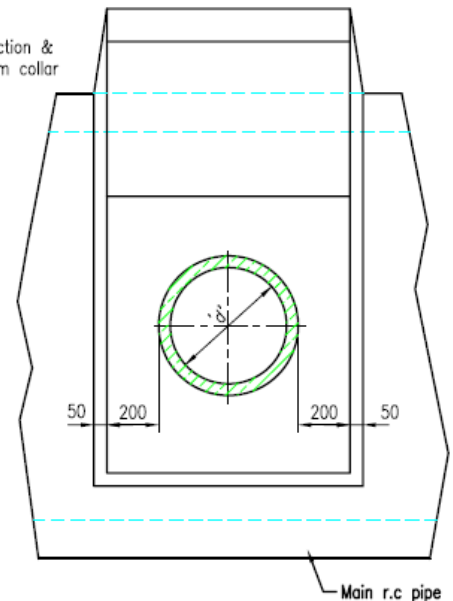
BRANCH PIPE 'd' UP TO 375  $\phi$   
PROVIDED 'd' IS LESS THAN 'D'/3



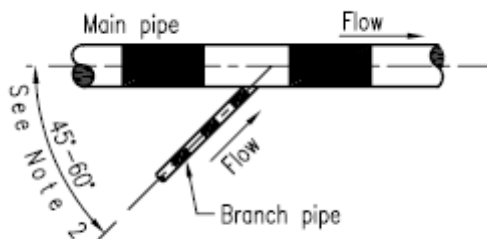
SECTION A



BRANCH PIPE 'd' = 450  $\phi$  AND LARGER  
PROVIDED 'd' IS LESS THAN 'D'/3



SECTION B



ANGLE OF CONNECTION