

# Grated Pit (600x900) A140.07



## DESIGN STATEMENT

The grated pit is a standard open grate pit located within ROW or paving areas. The grate is selected depending on traffic conditions. All grates should be 'Weldlock' or similar to minimise risk to cyclists.

## APPLICABLE LOCATION

The grating pit should be used where advised by City Infrastructure Department of Moreland City Council.

## COUNCIL STANDARD DRAWING

SD 125 Grated pit (600x900mm)

## CROSS REFERENCE DOCUMENT

- Moreland City Council Standard Specifications: Sections 80 & 60. See Also: Urban Stormwater: Best Practice Environmental Management Guidelines; CSIRO Publishing.

## STANDARD SPECIFICATION

**Fixing:** Hinged

**Concrete strength:** 25 Mpa, unless stated otherwise.

**Pits:** Shall be cast monolithically. Cement render shall only be used to repair defects. Pits over 2m in depth shall have F72 reinforcing fabric placed centrally in walls.

Step irons shall be fitted to pits greater than 1m in depth (See SD 190). Minimum internal dimensions to be 600x600mm.

Refer to Notes 1-3 as detailed in general note.

## SUPPLIER

**Supplier of grates:** Weldlok Grates [www.grahamgroup.com.au](http://www.grahamgroup.com.au) or similar.

## MAINTENANCE

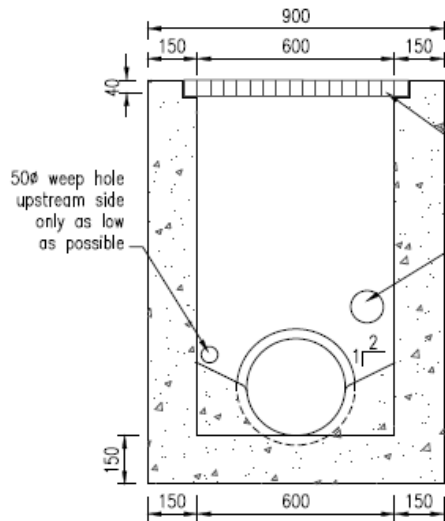
**Street Cleansing Unit:** Cleaning will be undertaken as per current schedule.

## GENERAL NOTES

1. For bluestone paver or asphalt right of ways, any exposed concrete shall be charcoal coloured.
2. Grate to be Weldlok PC6060L for areas with pedestrian traffic, PC6060M for cars traffic, PC6060H for truck traffic and PC6060XH for semi-trailer traffic.
3. Similar grate and frame shall be galvanised steel with the grate hinged to its frame. The proposed grate and frame set must be approved by Council prior to being used.

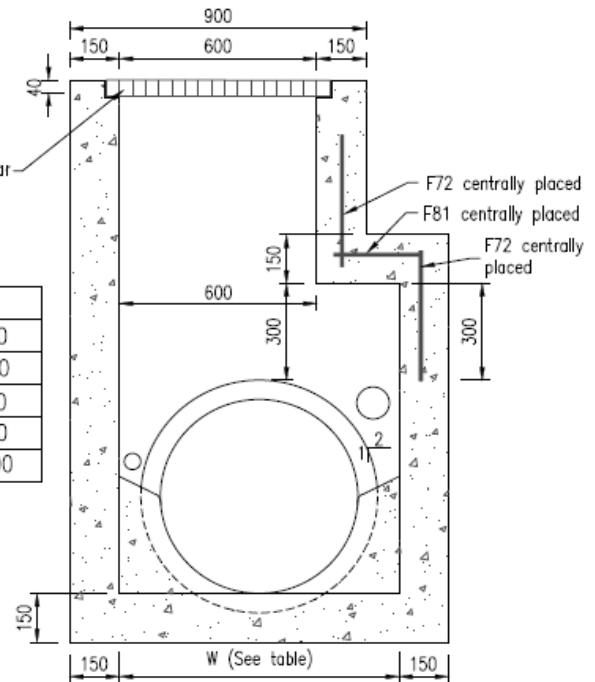


# A140.07 Grated Pit (600x900)

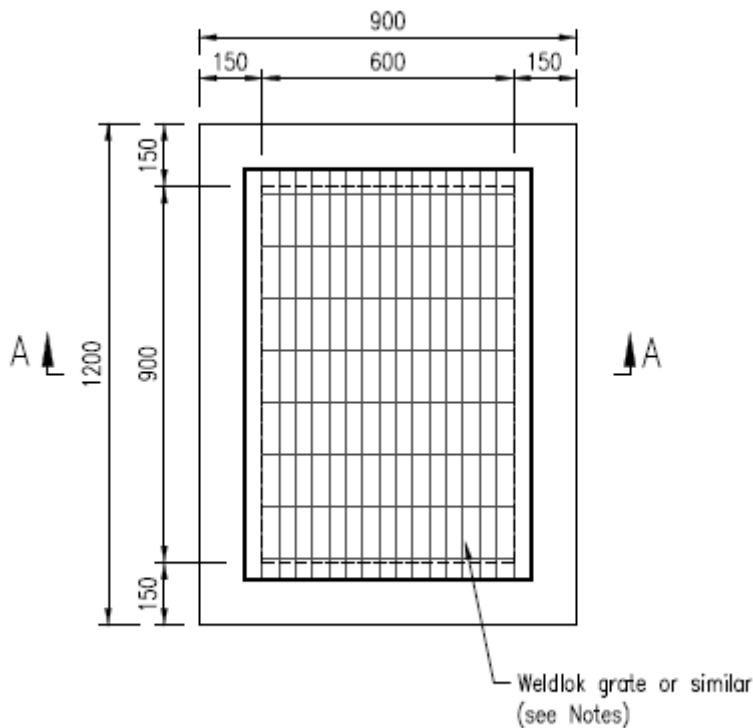


FOR PIPES UP TO 375mm  $\phi$   
SECTION A-A

Pipe $\phi$	W
To 375	600
450	700
525	750
600	850
750	1000



FOR PIPES OVER 375mm  $\phi$   
SECTION A-A



P L A N